

ASTRO CYCLE SHELTER

Free Delivery



Manufacturers Warranty



Quantity discounts available.
Please contact us for a specific quote.

Best prices guaranteed!



Contact Us



Capacity: **10 bikes**
Lead time: **2-3 weeks**

- 0161 447 8929
- www.tamstar.co.uk
- Barcroft Street, Bury BL9 5BT
- enquiries@tamstar.co.uk



SPECIFICATIONS

- 10 Cycle capacity with rack system included
- Comes galvanised as standard with an optional polyester powder coating to give extra durability and a nice colour finish
- 4mm clear Petg glazing to back providing impact resistance and UV protection with optional glazing available to the sides
- Standard colours available: Blue, Green, Red & Black
- Onsite assembly and installation service available

FEATURES

- Comes with ground fixings kit and assembly instructions
- Fully compliant with school travel plan
- Product Ref: CS1-10
- Dimensions: 4100mm x 1700mm x 2100mm (LxWxH)

OTHER PRODUCTS



ALPINE RECYCLED PLASTIC PICNIC TABLE

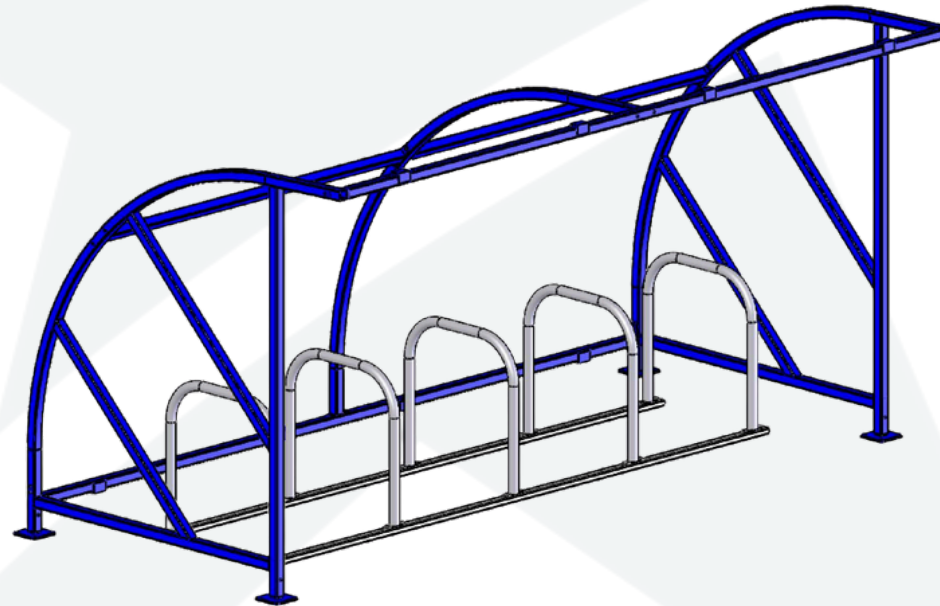
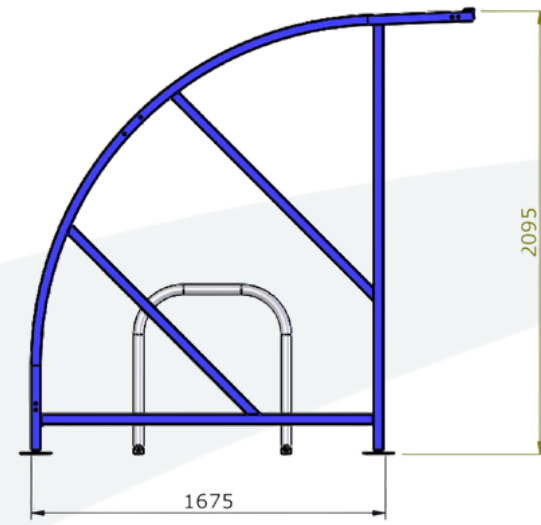
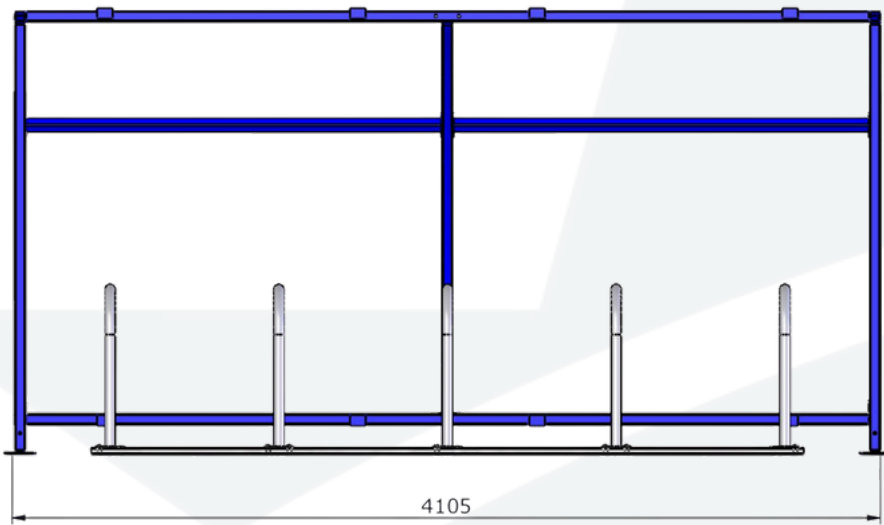


LARCH RECYCLED PLASTIC SEAT



BLACKTHORN RECYCLED PLASTIC BENCH





SPECIFICATION
FRAME 50 x 50 SHS



PRODUCT DIMENSIONS

- 0161 447 8929
- www.tamstar.co.uk
- Barcroft Street, Bury, BL9 5BT
- enquiries@tamstar.co.uk